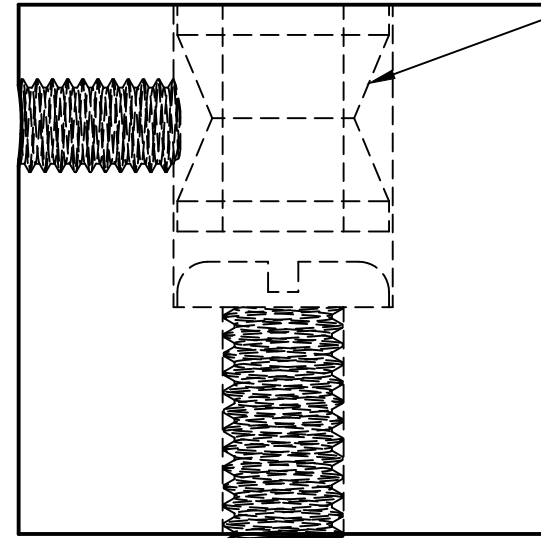
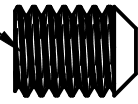
 StyleFinishDoorware	Drawing M02 Entrance Handles
	Date 20/02/2023
	Scale 1:2

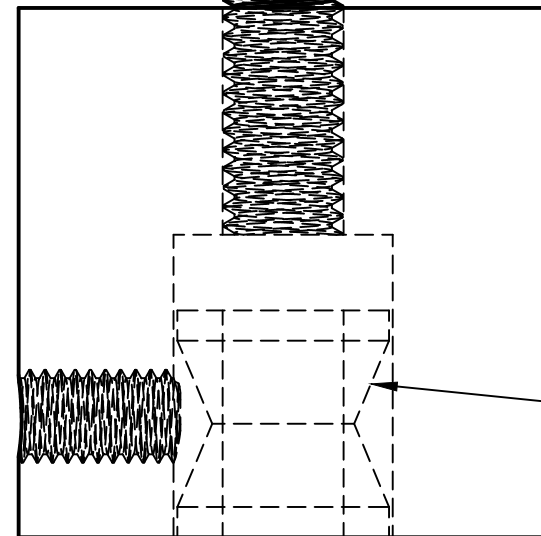
Grub Screw



Brass Ferrule

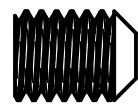
Handle Stand

M8 Bolt



Threaded
Handle Stand

Brass Ferrule



Installation Instructions

IMPORTANT! Mark and drill door from both sides.

Cut bolt to required length. Allow 30mm longer than door thickness.

Screw stands together through door.

Place handle on stand, inserting Ferrules into stand.

Tighten Grub Screws

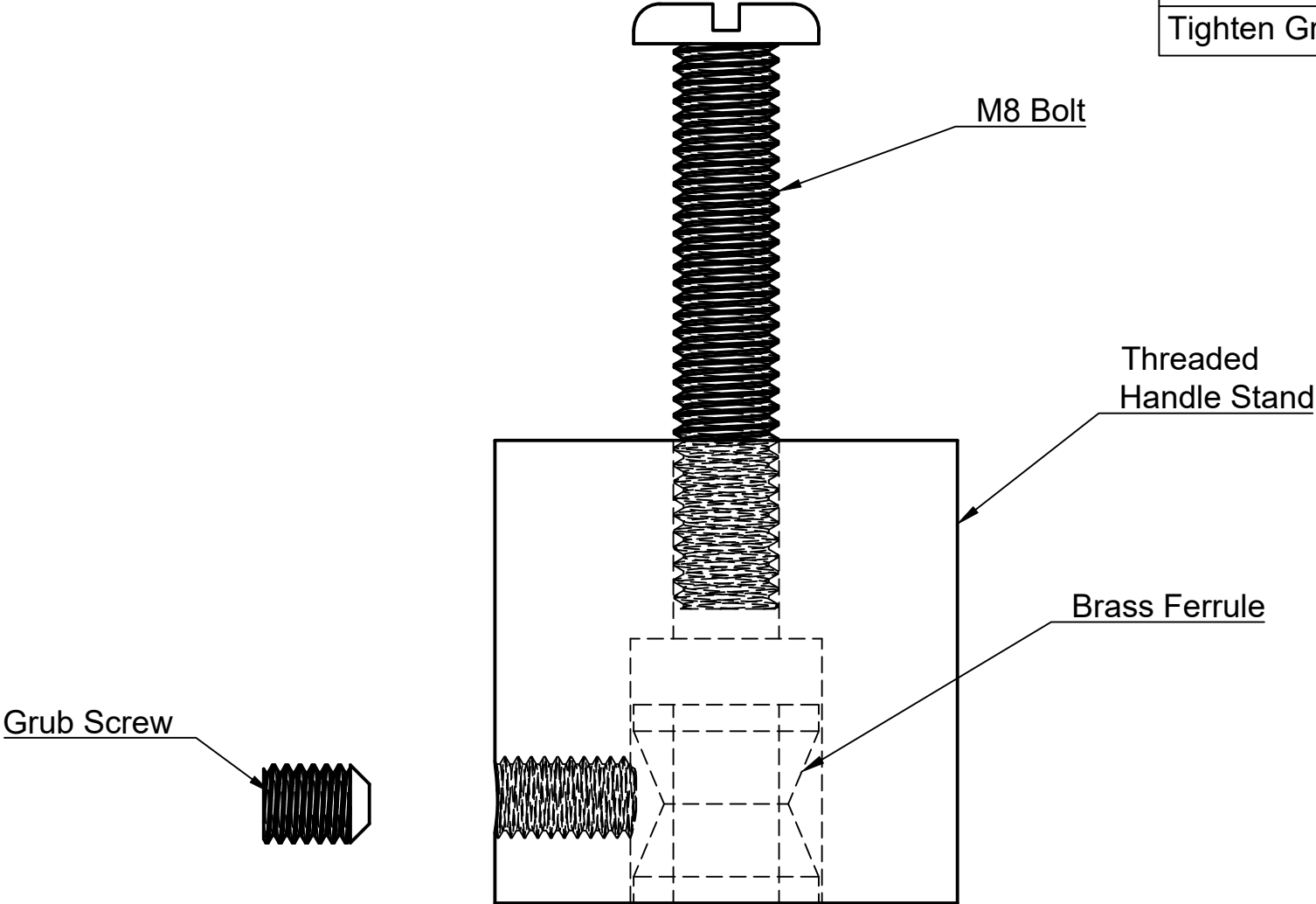


Drawing
Entrance Handle Fixing B2B

Date
2/02/2023

Scale
2:1

Installation Instructions
IMPORTANT! Mark and drill door from both sides.
Cut bolt to required length. Allow 15mm longer than door thickness.
Screw stands from behind to door.
Place handle on stand, inserting Ferrules into stand.
Tighten Grub Screws



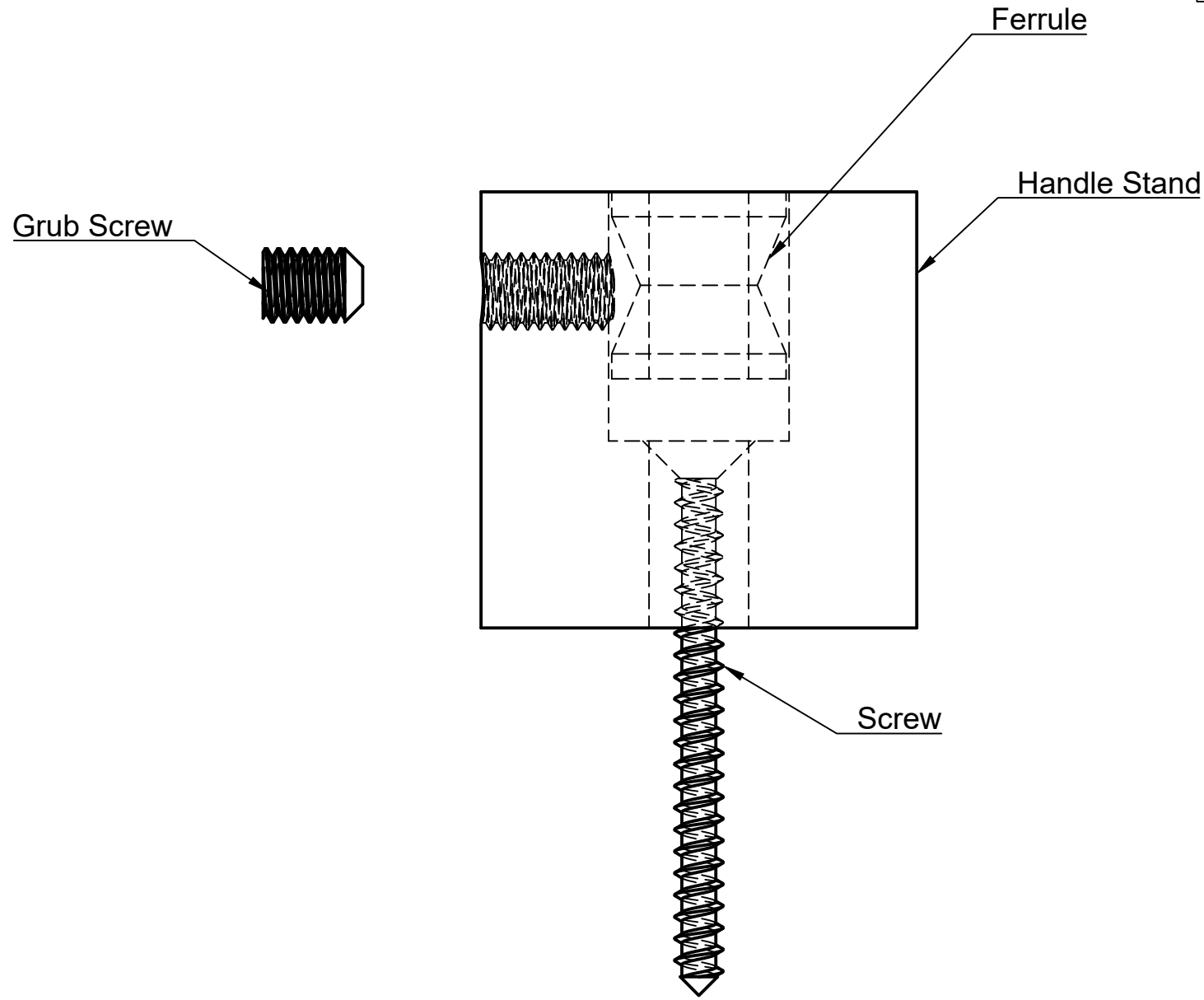
Drawing Entrance Handle Rear Fixing
Date 2/02/2023
Scale 2:1

Installation Instructions

Screw stand to door.

Place handle on stand, inserting Ferrules into stand.

Tighten Grub Screws



Drawing
Entrance Handle Surface Fixing

Date
2/02/2023

Scale
2:1